

Entertainment Electronics

GARY OLDMAN



CONTICO
ELECTRONICS

WWW.CONTICOELECTRONICS.COM

Entertainment, Media, Broadcasting Electronics

The classic consumer electronics has risen to "Entertainment Electronics" in recent years. Is no longer a matter of informing and entertaining people, but of comprehending them with regard to the whole of their consciousness and of appealing as many senses as possible.

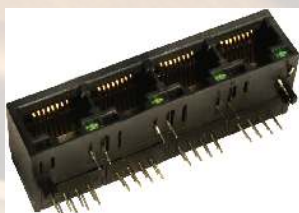
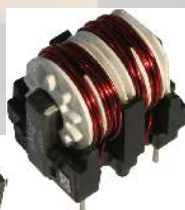
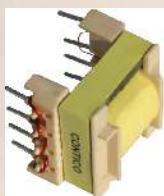
Excellent transmission properties maximum operating comfort, cinema-like experience with regard to sound and picture within one's own four walls packed in outstanding design constitute the basis of successful device concepts.

Entertainment is taken to new heights every day, pushed by increasingly sophisticated consumer demand. Emerging technologies are becoming convoluted in a total consumer satisfaction, in creation of a personal world, linked and controlled by the consumer, where entertainment merges with communication, where audio and video world is acting all human senses for total personal satisfaction.



Contico has many years of experience in High-fi, in Telecom and other high demanding electronic segments, and our team has the ability to understand entertainment needs and the world of personal satisfaction, the modern consumers are demanding.

Inductive components produced by Contico undertake a multitude of tasks with a high degree of precision and reliability in these devices, including the sending and receiving of information, supplying backlighting for LCD screens, securing stand-by operation and of course, also compliance with the applicable EMV standards.

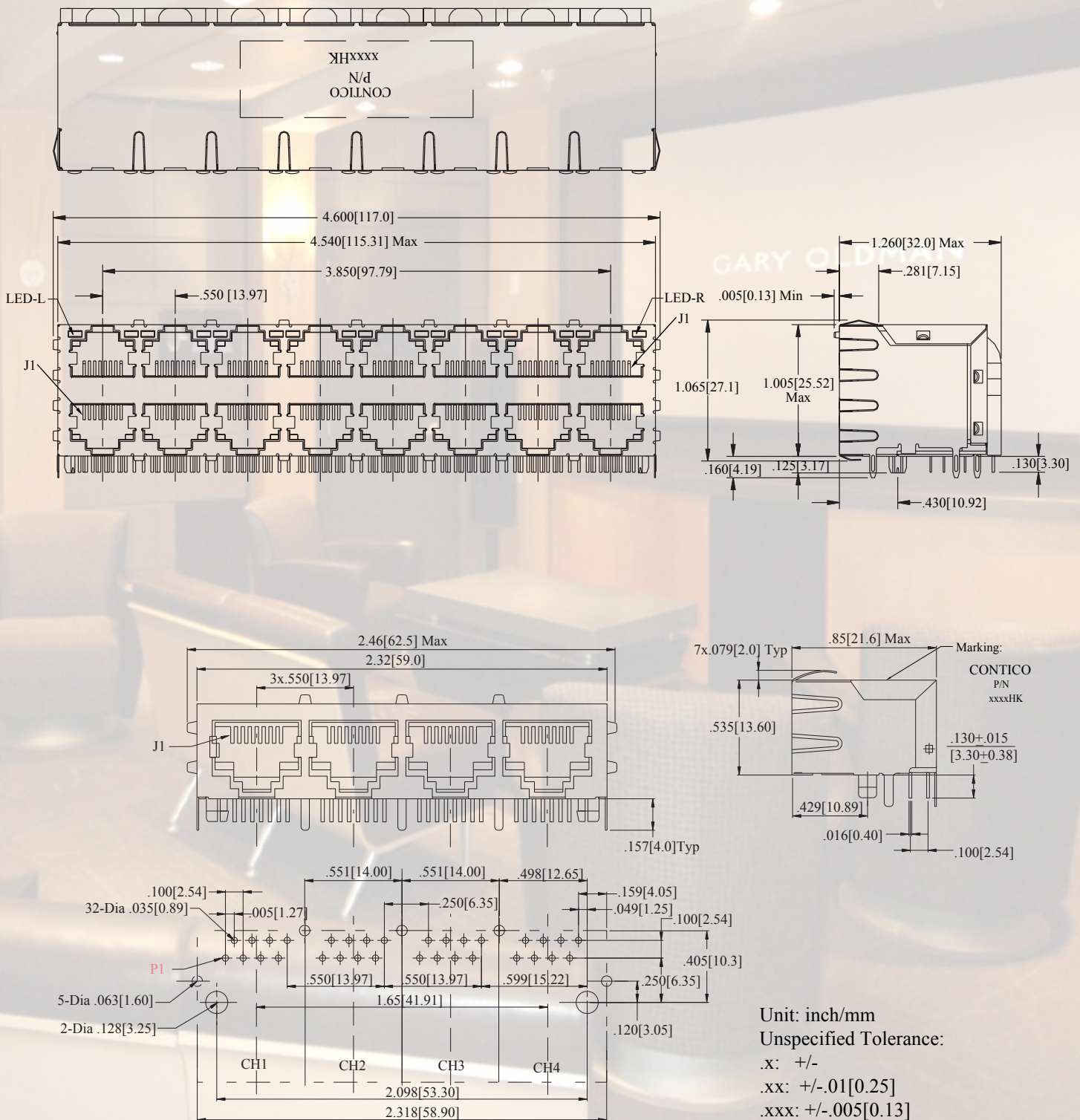


Product examples

Rj45 Mag Ports

Rj 45 Mag Port Connectors for modems, routers, PC and other applications

- Various models and types are available
- Client customization is possible!

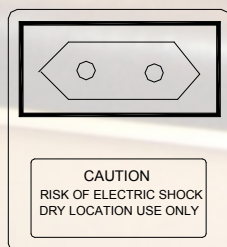
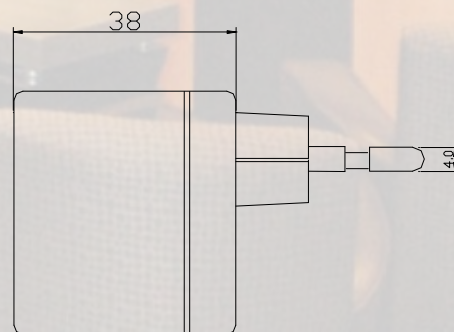
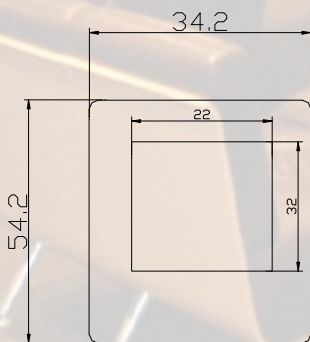
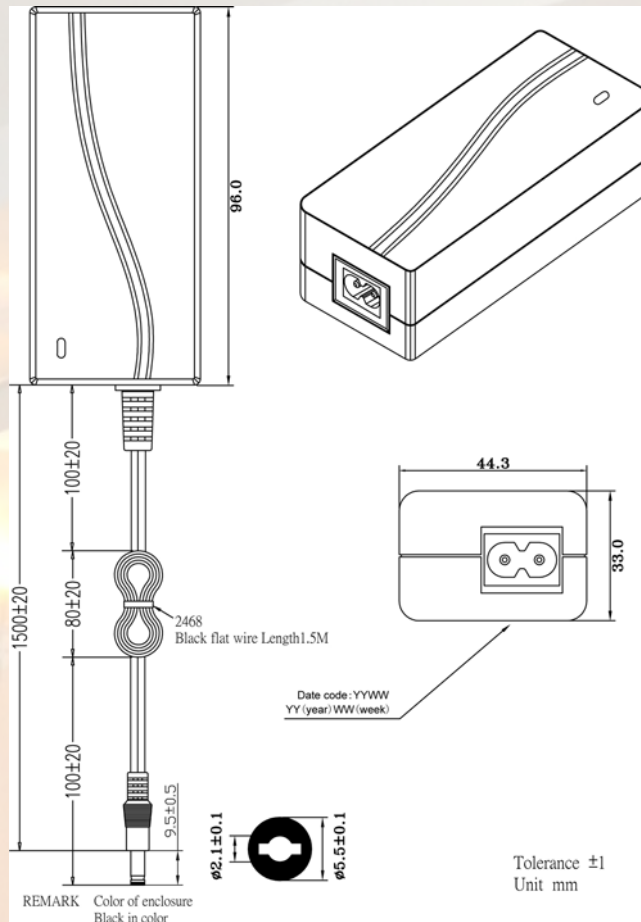


Suggested Pcb layout (component side view)

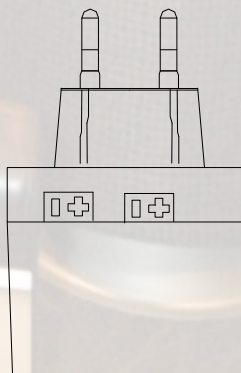
Unit: inch/mm
 Unspecified Tolerance:
 .x: +/-
 .xx: +/- .01 [0.25]
 .xxx: +/- .005 [0.13]

Power Supplies

- used for power medical instruments, are available in various forms: wall mount, desktop and open frame design.
- Client customization is possible!



OUTPUT1

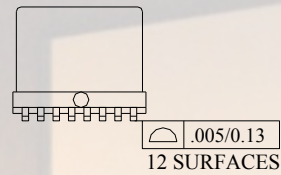
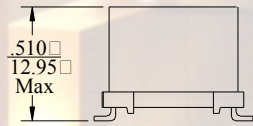
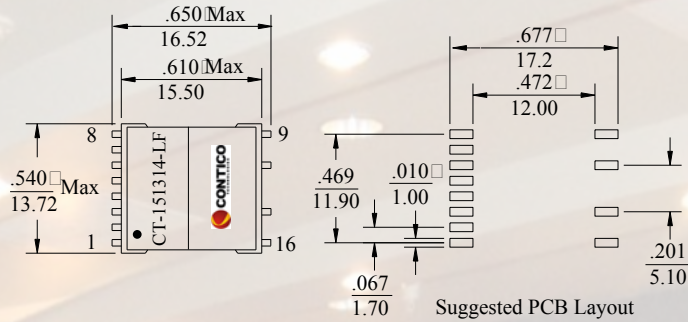


OUTPUT2

Transformers

Used in entertainment devices like: TV, PC, Home Cinema, Digital Receivers etc.

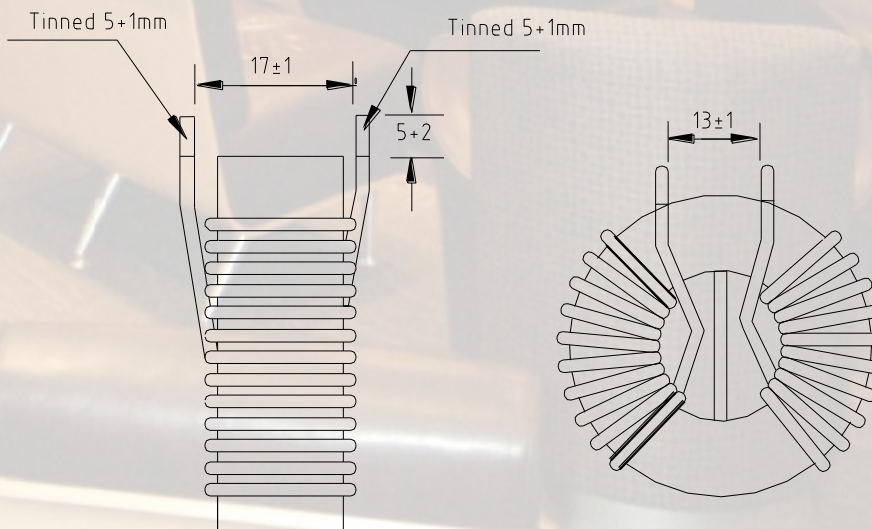
- Various models and types are available
- Client customization is possible!



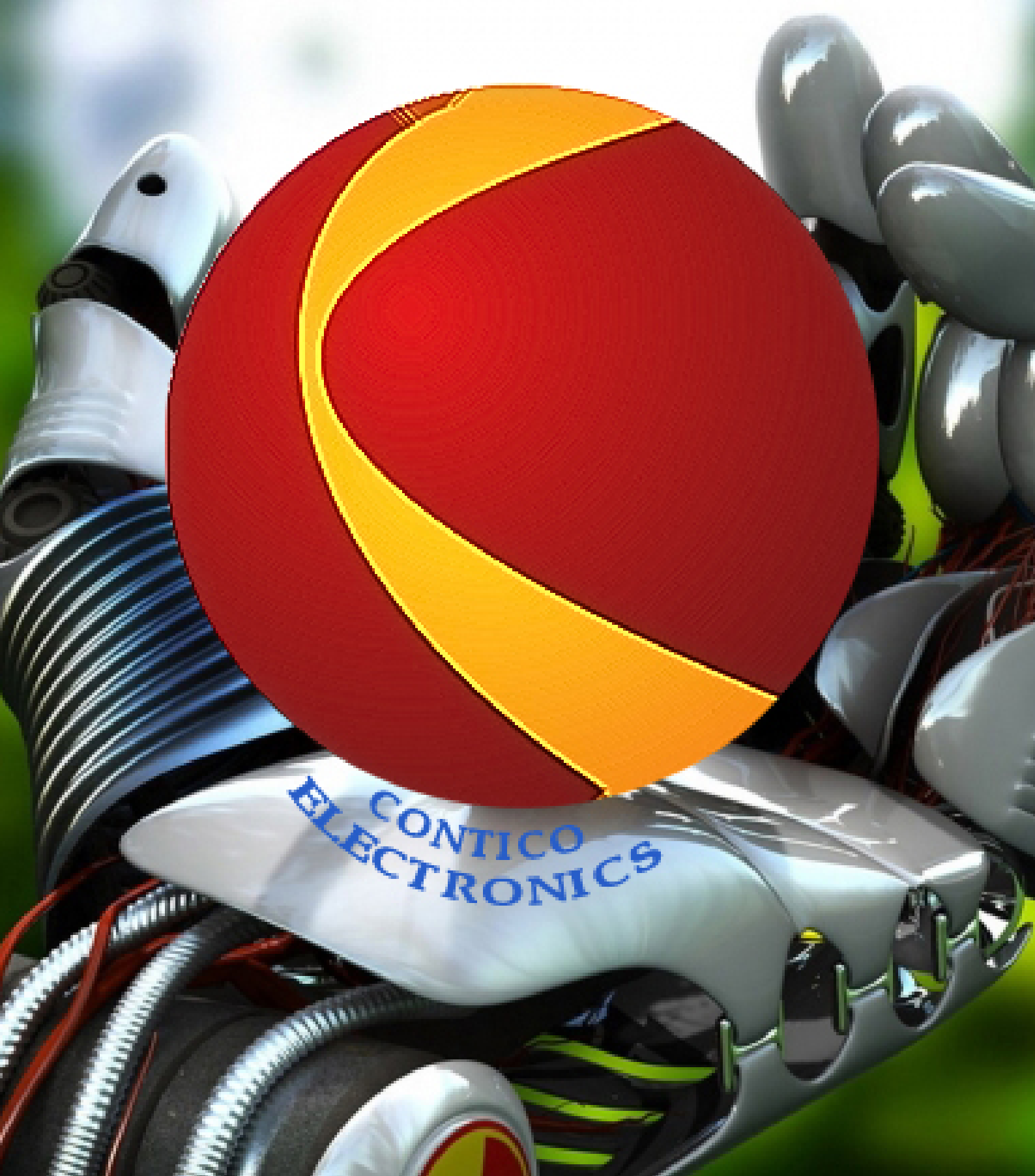
Chokes

Used in entertainment devices like: Audio systems, Amplifiers, TV, Modems etc.

- Various models and types are available
- Client customization is possible!



**For the complete product range please
access www.conticoelectronics/download or contact us!**



CONTICO Technologies & Contico Electronics . All Rights Reserved. CONTICO and CONTICO LOGO. CONTICO reserves the right to alter specifications without notice at any time.

Romania Location

5A Lapusului str.
Baia Mare 430053
Maramures, Romania
Tel: +40-262-212 500
Fax : +40-362-415 050

China Location

A1811,Fenglin International centre,
Jixiang zhong Road ,Longgang district,
Shenzhen,China
Tel: +86 755 3383 0926

www.conticoelectronics.com