

## SPECIFICATION FOR APPROVAL

<b>Customer:</b>		
<b>Customer P/N:</b>	<b>Customer Rev.:</b> 00	
<b>Customer Model No.:</b>	<b>Customer ID:</b>	
<b>Model No.:</b> TIC-F24-1017-LF-RSK	<b>Rev.:</b> 00	
<b>Article:</b> RJ45 10/100BASE 1X2 tab-down with integrated magnetics		
<b>Standard:</b> Normal	<b>Safety No.:</b>	
<b>Catalog No.:</b>	<b>Date:</b> 4.02.2010	
<b>Prepared by</b>	<b>Checked by</b>	<b>Approved by</b>

*Please evaluate the samples, sign this approval sheet and return to us.*

- Approved
- Rejected
- Conditional Approved

Comments:

---



---



---

*Customer Approved by :* \_\_\_\_\_

Signature & Date

### Deviation and History

*Please note items listed below does not meet your specifications and requires your consent for deviation:*

Item	Customer specification	Suggestion specification

Remarks:

---



---



---



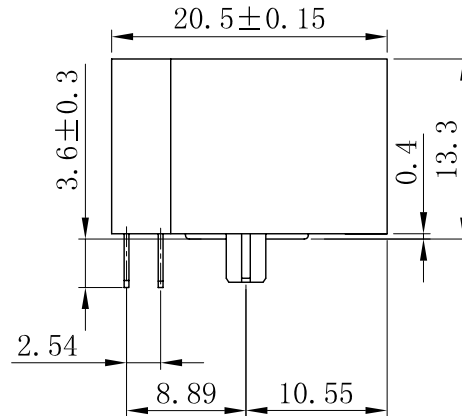
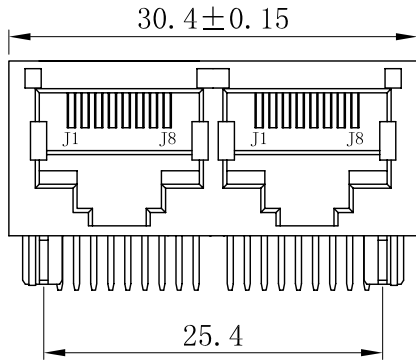
---

△8				
△7				
△6				
△5				
△4				
△3				
△2				
△1	01			
--	00			
Item	Rev	Description	Sign	Date

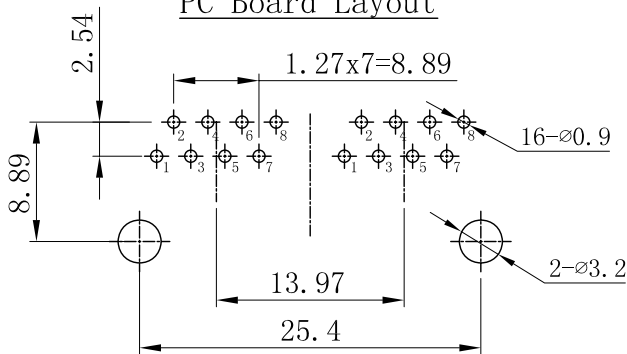
#### History

Customer P/N:	Model No.: TIC-F24-1017-LF-RSK
---------------	--------------------------------

## Schematic/Mechanical Characteristics



PC Board Layout



**MECHANICAL**

MATING FORCE: 5-25N  
 RETENTION STRENGTH:  $\geq 76N$   
 DURABILITY:  $\geq 750$  TIMES

**Notes:**

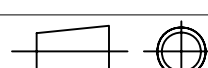
1. Unit: mm
2. Unless otherwise specified, all tolerance are  $\pm 0.25$

**MATERIAL**

HOUSING: PBT FILLED WITH FIBERGLASS  
 INSERT MATERIAL: PBT FILLED WITH FIBERGLASS  
 SHIELDING: 0.2mm THICKNESS COPPER ALLOY WITH NICKEL PLATED   
 CONTACT: 0.35mm THICKNESS PHOSPHOR BRONZE, HARD GOLD PLATED  
 OVER TIN

GOLD PLATING:  $< 3 \mu$  "INCH      $3 \mu$  "INCH      $6 \mu$  "INCH   
                    $15 \mu$  "INCH      $30 \mu$  "INCH      $50 \mu$  "INCH

WORKING TEMPERATURE:  $-40^{\circ}C \sim +70^{\circ}C$

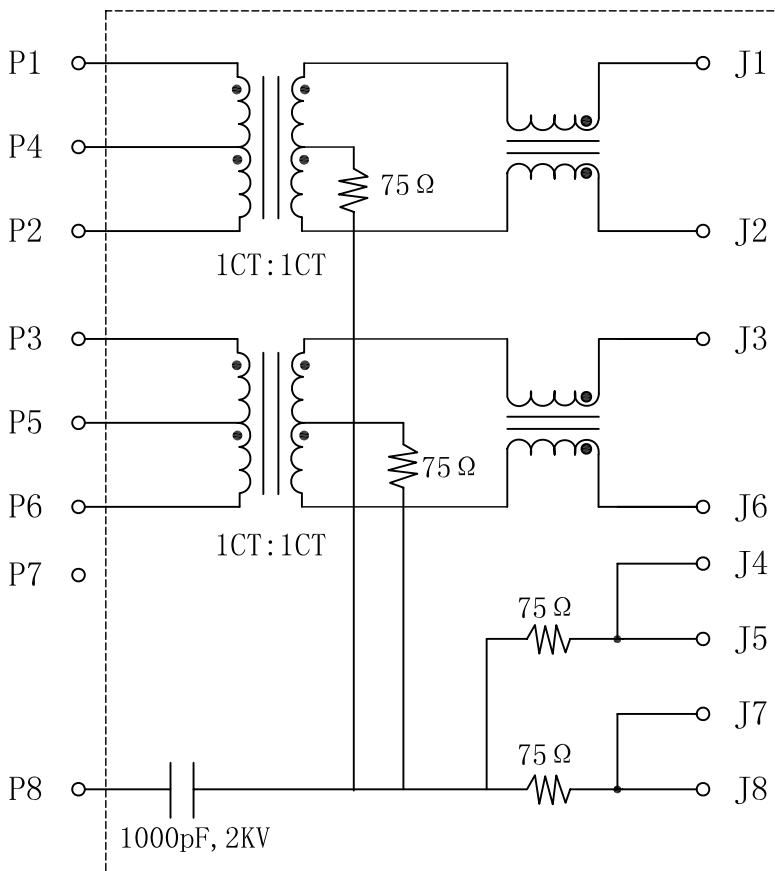
		SCALE:	TOLERANCE $\pm 0.1$		
Designed	Cozmuta D	4:1	ISO 1302		[mm]
Checked	Cozmuta D			ISO 5457	
Approved	ConticoTech.	Date: 4.02.2010	TITLE: RJ45 10/100BASE 1X2 Tab-Down with integrated magnetics		
Contico Technologies			PART NO: TIC-F24-1017-LF-RSK		

Customer P/N:

Model No.:

TIC-F24-1017-LF-RSK

### Schematic/Electrical Characteristics



#### ELECTRICAL SPECIFICATIONS @ 25°C unless otherwise noted:

Insertion Loss: 1-65MHZ -1.0dB MAX  
 Return Loss: 1-10MHZ -20.0dB MIN  
                   10-30MHZ -16.0dB MIN  
                   30-60MHZ -12.0dB MIN  
                   60-80MHZ -10.0dB MIN  
 Crosstalk: 10-30MHZ -40.0dB MIN  
                   30-60MHZ -35.0dB MIN  
                   60-100MHZ -30.0dB MIN  
 Common Mode Rejection: 1-50MHZ 30.0dB MIN  
   50-150MHZ -20.0dB MIN  
 Hipot: 1500V AC 6S 1mA  
 OCL: 350uH MIN @ 100KHZ 100mV 8mA DC

#### **ELECTRICAL**

CURRENT RATING: 1.5AMPS  
 VOLTAGE RATING: 125V AC  
 INSULATION RESISTANCE:  $\geq 500M\Omega$   
 WITHSTANDING VOLTAGE: AC 1000V RMS 50Hz or 60Hz 1Min  
 CONTACT RESISTANCE:  $\leq 30m\Omega$

Customer P/N:

Model No.:

TIC-F24-1017-LF-RSK